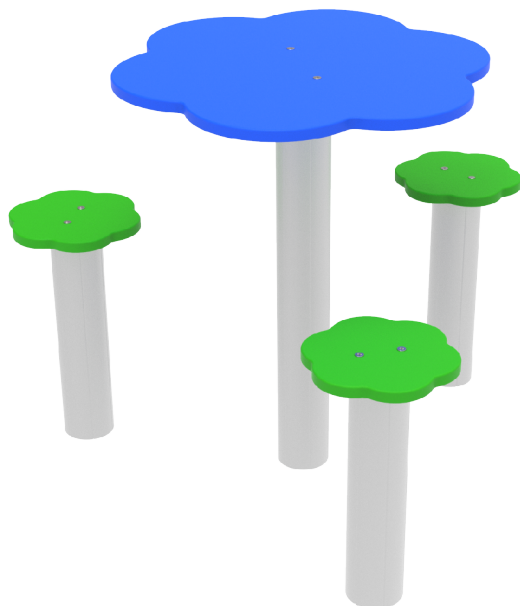
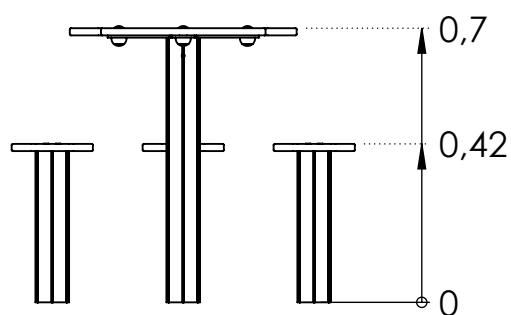


Product Datasheet

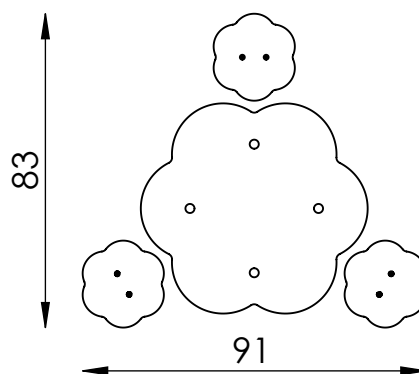
Park Bench ŁP-13



[m]



[cm]



Materials used:

- structure of the legs made of round profile 89x89 mm, hot dip galvanized
- bench seat and table made of PEHD or HPL boards
- fasteners, hardened galvanized screws

Assembly:

The set is mounted in the ground using hot-dip galvanized steel anchors. Foundations made of C20/25 class concrete.